

GTE SYLVANIA

INCORPORATED

FACTORY PREPARED TECHNICAL SERVICE DATA

STEREO HI-FI
SUPPLEMENT 1 TO
BULLETIN R53-3,-4,-7,-8

MODEL: MS3722

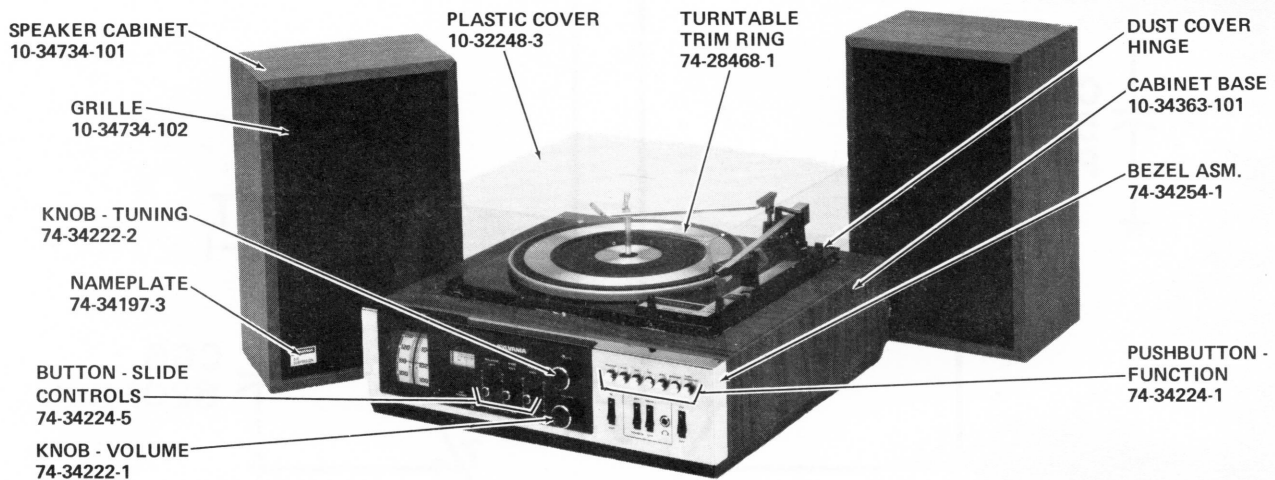
File with Bulletin R53-3,-4,-7,-8.

SERVICE PUBLICATIONS DEPARTMENT

Entertainment Products Group

700 Ellicott Street - Batavia, N.Y.

This Supplement lists code changes on the R53 chassis, and also introduces Model MS3722.
For Amplifier and Tuner information, refer to Bulletin R53-3,-4,-7,-8.
For Record Changer information, refer to Bulletin R/C G6 300.
Cabinet replacement parts for Model MS3722 are listed in this Supplement.



CHASSIS: R53-4

RECORD CHANGER: 11-34471-1 (G6 300)

— CABINET REPLACEMENT PARTS LIST —

DESCRIPTION	SERVICE PART NO.	DESCRIPTION	SERVICE PART NO.
BEZEL PARTS		RECORD CHANGER	
Bezel Asm.	74-34254-1	45RPM Spindle	11-34480-1
Button - Slide Controls	74-34224-5	Cartridge	11-34543-3
Clip - Speed (Overlay Dial-to-Bezel)	70-34444-1	Cartridge Head	11-34543-2
Knob - Tuning (W/Retaining Ring)	74-34222-2	Cartridge Stylus	11-10329-22
Knob - Volume (W/Retaining Ring)	74-34222-1	Trim Ring - Turntable	74-28468-1
Overlay - Dial	74-34256-5	SPEAKER ENCLOSURES	
Overlay Backing (Dial-to-Bezel)	85-32766-3	3" Speaker	12-26878-2
Pushbutton - Function	74-34224-1	4/25V.N.P. Crossover Capacitor	41-14304-11
CABINET PARTS		6" Speaker	12-22107-3
Base	10-34363-101	6" Speaker Mounting Gasket	85-32586-5
Bottom Cover	74-34281-1	Cabinet	10-34734-101
Vent	74-34664-1	Cap - Input Jack	86-34446-1
DUST COVER		Cord - Speaker Connecting	73-14921-1
Cover - Plastic	10-32248-3	Grille	10-34734-102
Extrusion	74-32419-1	Grille Retaining Brad	70-28495-1
Hinge - Female Section	74-32393-4	Jack - Nut	73-14854-2
Hinge - Long Male Pin Section	74-32393-8	Jack - Socket	73-14854-5
Hinge - Short Male Pin Section	74-32393-7	Jack - Washer	73-14854-4
Nut, Acorn (Hinge-to-Cover)	70-28706-1	Nameplate	74-34197-3
		Nameplate Backing	85-32766-4

IMPORTANT: Always use genuine Sylvania replacement parts and tubes.

SUPPLEMENT 1 TO BULLETIN R53-3,-4,-7,-8

SUPPLEMENT 1 TO BULLETIN R53-3,-4,-7,-8

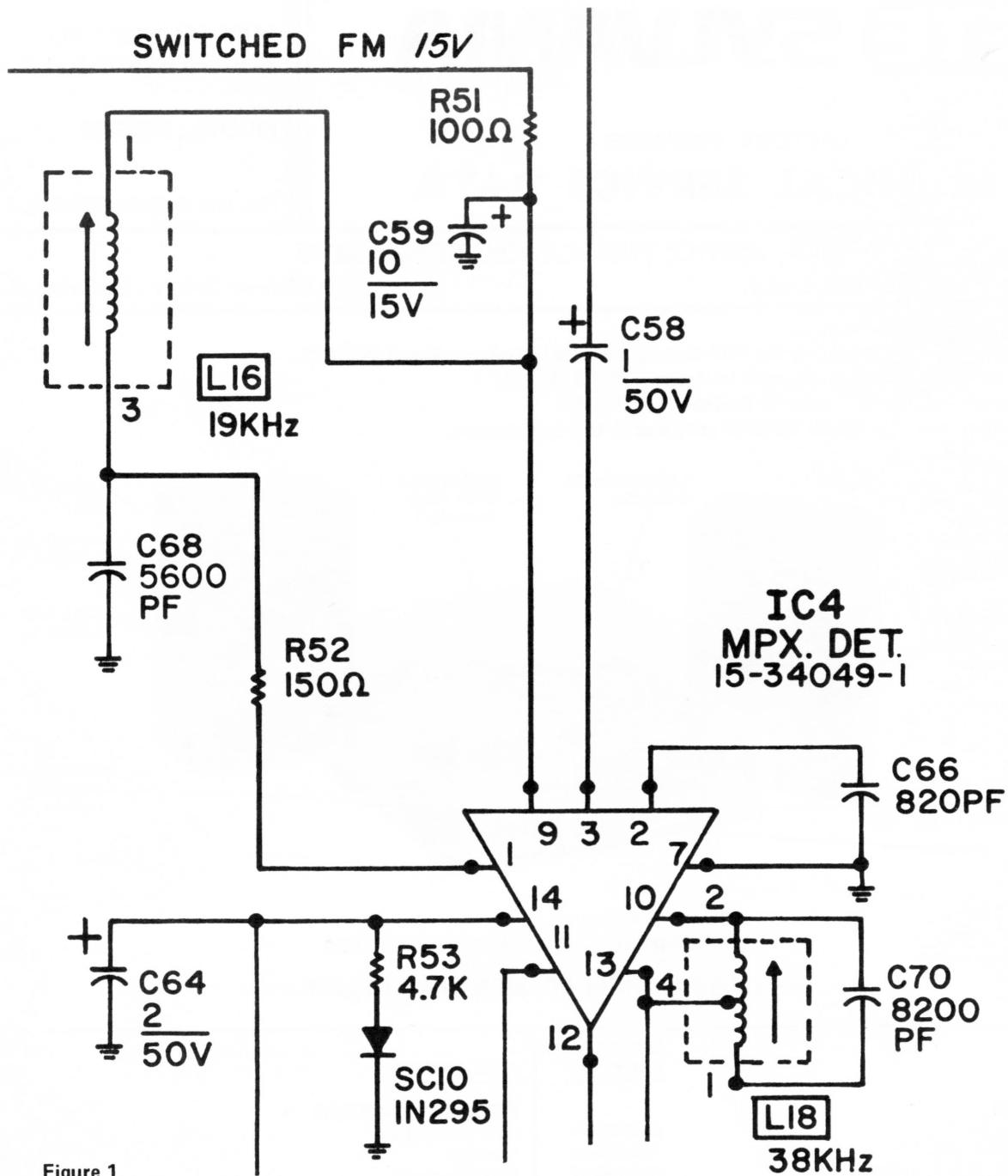


Figure 1

CODE CHANGES
R53-3,-4,-7,-8

CODE 05:

REASON: Stereo operation becomes inoperative when tuning into signal.

DESCRIPTION: The following changes were made:

1. 19kHz coil (L16), pin 1, connected directly to pin 9, IC4.
2. R51 (100 ohm) resistor added.
3. C59 (10MFD/15V Electrolytic) added.
4. R52 changed from 1K variable to 150 ohm fixed resistor.

SEE FIGURE 1

CODE 06:

REASON: To prevent RF radiation from Quad Detector.

DESCRIPTION: The following change was made:

1. C47 (.01) added on bottom of PC panel between pins 7 and 13 of IC2.